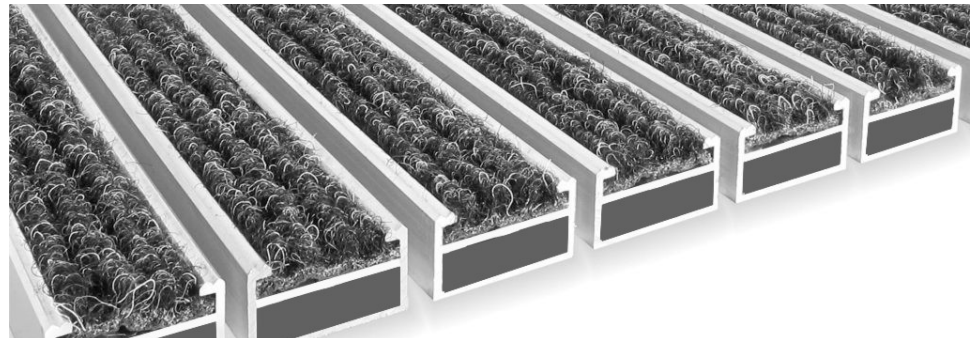


Ribbed insert revolving door



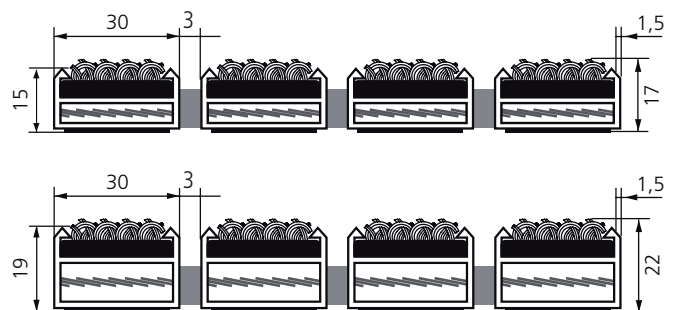
Entrance mat in revolving doors with ribbed insert.

A smart system of aluminium strips and various different inserts makes the Entrance ALU mat extremely effective. Ribbed or rubber - the type of entrance you have determines which inserts you need.

An entrance mat consisting of ribbed inserts in aluminium profiles provides a highly durable and moisture-absorbing mat that really takes care of the "fine" dirt particles. The aluminium profiles are held together by stainless steel wire (Ø3 mm) and rubber separators (3 mm acc. EN 16005), which makes it easier to clean the entrance recess as the mat can simply be rolled out of the way. The 17 profile for high traffic. The 22 is recommended for entrances with heavy traffic; it can handle shopping trolleys, wheelchairs, pushchairs, buggies, etc.* For indoor use. The ribbed inserts can also be combined with rubber (G) inserts.

The Entrance ALU is resistant against:

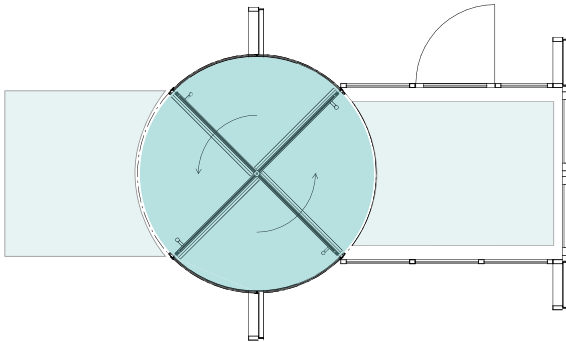
- Salt / snow-melting agents
- General chemical agents that do not contain chlorine.



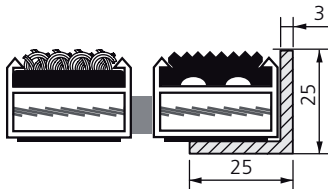
The Entrance ALU with ribbed insert is available in two heights.

Entrance ALU - entrance mats with aluminium profile frames

Entrance mats with ribbed inserts are ideal for zone 2, in an entrance with three different zones.



The ribbed inserts can also be combined with rubber (G) inserts.

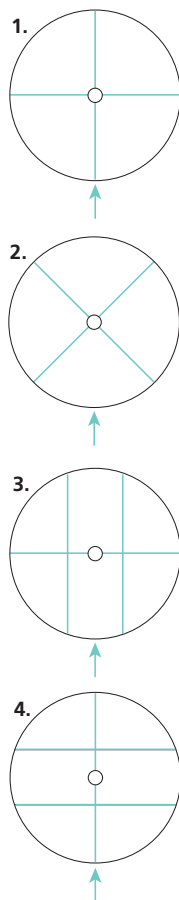


Ribbed (R) and rubber (G) in a casting frame 25 mm.

Split of a mat in revolving doors

There are different possibilities how to split the mat in the revolving door. Choose the split that goes best with the door wings. This is to facilitate installation and cleaning.

The arrow shows the walking direction in the revolving door.



Colours:	Black, grey and brown
Heights:	17 mm and 22 mm
Load:	2500 kg/m ² (*max. weight per wheel 150 kg, for trolleys or similar with 4 wheels = max. 600 kg/each)
Tolerance:	Mat: +/- 2 mm. Recess: Depth +/-2 mm. A well-functioning entrance mat needs a flat, even surface. An uneven surface can result in the mat's aluminium profiles becoming deformed.
Temperature:	+5°C to +70°C
Guarantee:	3 years against manufacturing defects, does not apply to wear and tear.
Slip resistance:	R11 in accordance with DIN 51130.
Fire protection:	Cfl-s1 in accordance with EN 13501.
Safety:	Manufactured to EN 16005 with 3 mm between the profiles.
Cleaning:	Roll up the mat, brush or vacuum the recess (possibly wash the floor), roll it back. The mat should be vacuumed regularly, and can even be cleaned with a pressure washer (rubber) in the event of extensive or tough dirt. Only use chemical agents that are non-abrasive for rubber or aluminium. Cleaning is recommended every other week or more often, depending on the season (rain and snow) and amount of dirt.

RIBBED

Article no.	Height	Weight/m ²
117/3 R	17 mm	10 kg
122/3 R	22 mm	12 kg
RIBBED / RUBBER		
117/3 RG	17 mm	11.5 kg
122 RG	22 mm	13.5 kg